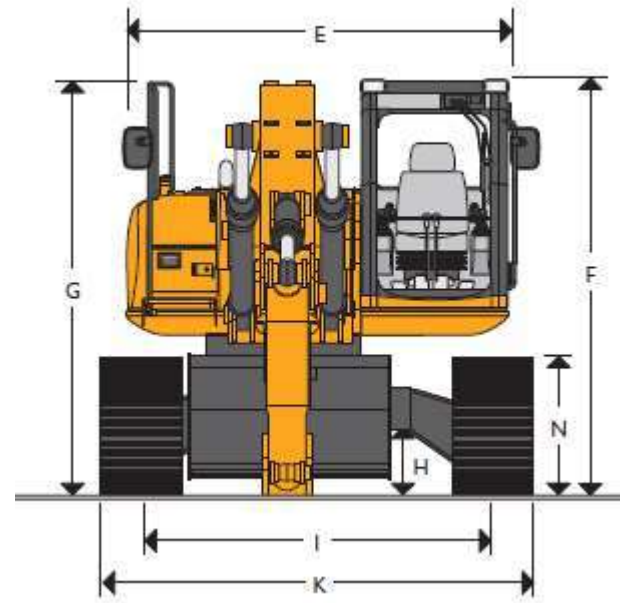
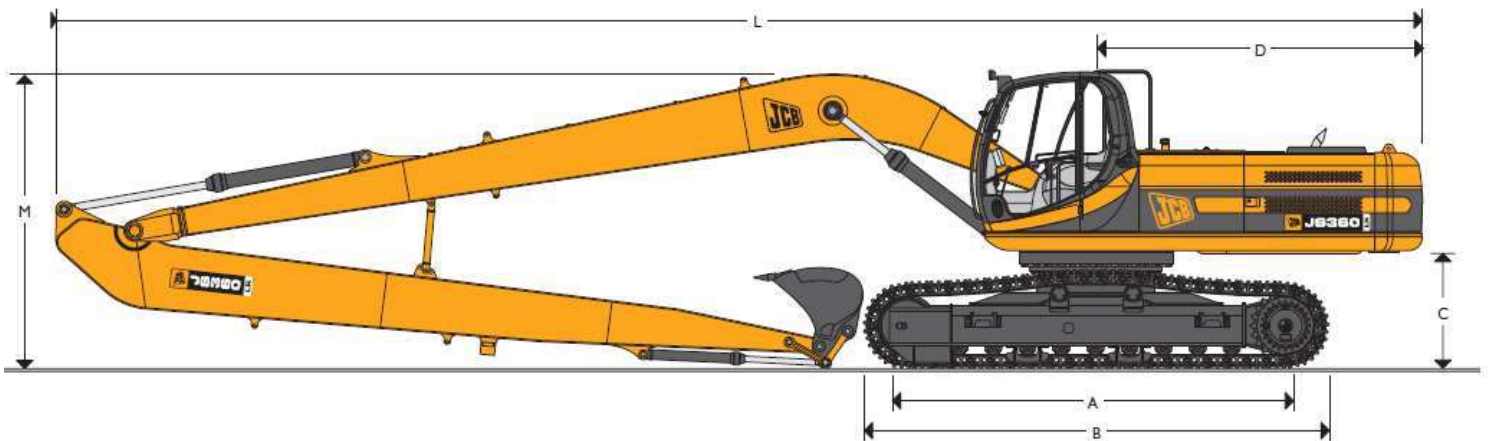


# JCB JS360LR Pelles 40T bras 24m



## SERVICE CAPACITIES

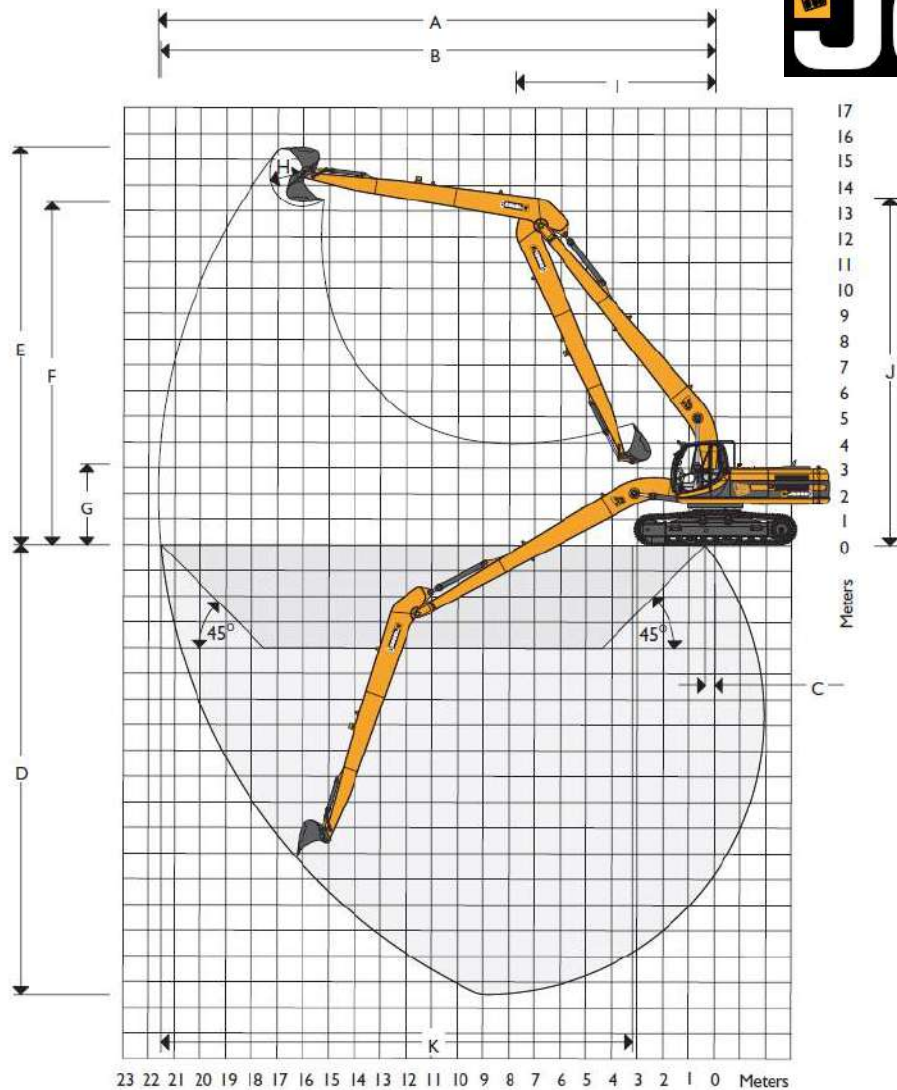
	Litres	UK gal
Fuel tank	670	147.4
Engine coolant	38	8.4
Engine oil	38	8.4
Swing reduction gear	14.5	3.19
track reduction gear (each side)	8.5	1.87
Hydraulic system	370	81.5
Hydraulic tank	183	40.2



## STATIC DIMENSIONS

Dimensions in millimetres (ft-in)	LR	Dimensions in millimetres (ft-in)	LR
A Track length on ground	4021 (13-2)	I Track gauge	2600 (8-6)
B Undercarriage overall length	4954 (16-3)	K Width of tracks (700mm shoes)	3300 (10-10)
C Counterweight clearance	1214 (3-11)	K Width of tracks (800mm shoes)	3400 (11-2)
D Tail swing radius	3460 (11-4)	K Width of tracks (900mm shoes)	3500 (11-6)
E Overall width of superstructure	2990 (9-10)	L Transport length	6982
F Height over cab	3202 (10-6)	M Transport height	4200 (13-78)
G Height over grab rail	3220 (10-6)	N Track height	1024 (3-4)
H Ground clearance	530 (1-8)		

# JCB JS360LR Pelles 40T bras 24m



## WORKING RANGE

Boom length: 12.33m (40ft 5in)		
Dipper length		9.50m (31ft 2in)
A	Maximum reach	mm (ft-in) 21103 (69-3)
B	Maximum reach (on ground)	mm (ft-in) 21004 (68-10)
C	Minimum reach (on ground)	mm (ft-in) 373 (1-3)
D	Maximum depth	mm (ft-in) 17039 (55-10)
E	Maximum height	mm (ft-in) 15831 (51-11)
F	Maximum dumping height	mm (ft-in) 14350 (47-1)
G	Minimum dumping height	mm (ft-in) 2437 (8-0)
H	Bucket struck radius	mm (ft-in) 1302 (4-3)
I	Minimum swing radius	mm (ft-in) 7728 (25-4)
J	Minimum swing radius height	mm (ft-in) 13539 (44-5)
K	Maximum ground level span	mm (ft-in) 19963 (65-6)
	Bucket rotation	182°
	Dipper tearout	kgf (lbf) 9062 (19978)
	Bucket tearout	kgf (lbf) 11992 (26438)